

[Previous Screen](#)

Product: MARINE AUXILIARY
Model: C32 MARINE AUXILIARY RNE
Configuration: C32 Marine Auxiliary Generator Engine RNE00001-UP

Engine News

2010/02/26**Media Number -SEBD9634-00****Publication Date -26/02/2010****Date Updated -26/02/2010**

i03758089

An Improved Water Line that Is Used on Certain Commercial Engines and Pleasure Craft Is Available {1355, 1380, 1393}

SMCS - 1355; 1380; 1393

Generator Set:**C18 (S/N: GBM1-UP; CYN1-UP; GEN1-UP; MGS1-UP)****Marine Engine:****3406E (S/N: 9WR1-UP)****C15 (S/N: RLA1-UP)****C18 (S/N: WKB1-UP; PLE1-UP; CKH1-UP; C1J1-UP; P1N1-UP; P2N1-UP; GES1-UP; KJT1-UP; NAX1-UP; NAY1-UP; J2K1-UP)****Petroleum Engine:****C-15 (S/N: Z2C1-UP)****C18 (S/N: MPE1-UP)**

Improved hose assemblies are available for the replacement of the existing tube assemblies on certain water lines groups. The hose assemblies have an improved resistance to engine vibration.

Auxiliary Water Pumps that Are Used on Commercial Engines

The new 348-6657 Hose is available to replace the existing 193-2444 Tube As on the following groups that are used on Commercial Engines that do not have a keel cooler: 252-5812 Water Lines Gp, 252-5813 Water Lines Gp, 216-8387 Water Lines Gp, 290-3994 Water Lines Gp and 201-1400 Water Lines Gp. Refer to Illustration 1.

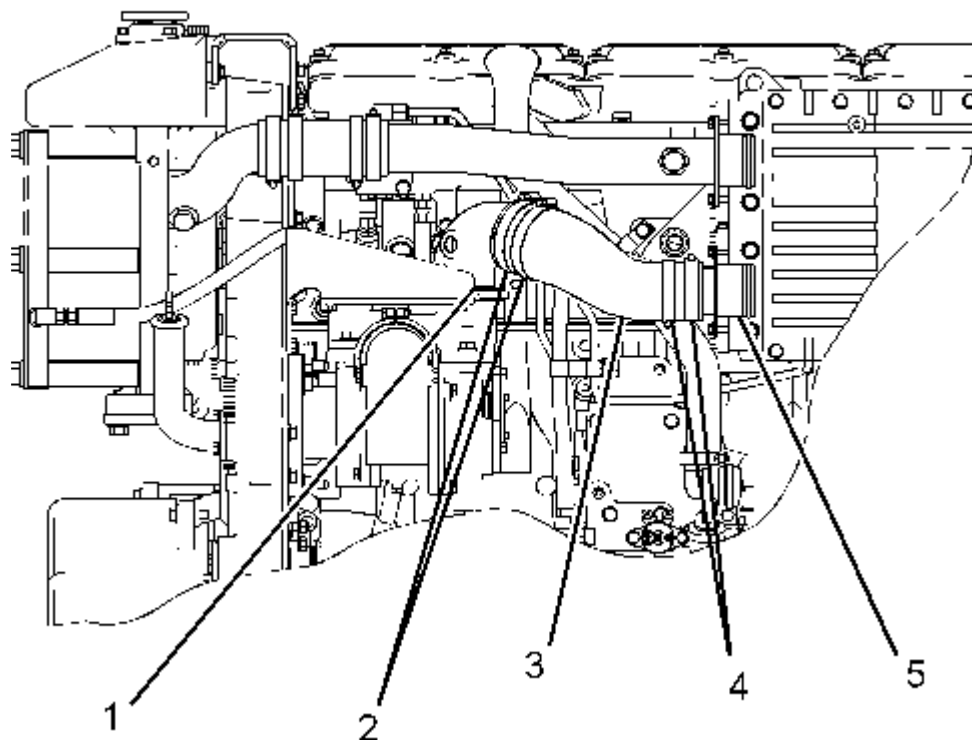


Illustration 1

g02027054

(1) 350-3558 Elbow

(2) Two 144-0367 Hose Clamps

(3) 348-6657 Hose

(4) Two 8T-4984 Hose Clamps

(5) 350-3565 Tube As

In order to install the new 348-6657 Hose on Commercial Engines that are equipped with a keel cooler, only one clamp is utilized on each end of the hose. Refer to Table 1 for the list of parts that are used. This includes the 240-9044 Water Lines Gp and the 309-0104 Auxiliary Fresh Water Lines Gp.

Table 1

New Part Number	Description	Quantity
144-0367	Hose Clamp	1
348-6657	Hose	1
8T-4984	Hose Clamp	1
350-3565	Tube As	1

This change is adaptable back to first production on the serial numbers that are listed above with the appropriate configuration of auxiliary water pump.

Auxiliary Water Pumps that Are Used on Pleasure Craft

The new 348-7211 Hose is available to replace the existing 239-9966 Tube As on the following groups that are used on Pleasure Craft that do not have keel coolers: 131-8274 Water Lines Gp, 201-1300 Water Lines Gp, 294-0103 Water Lines Gp and 333-0485 Auxiliary Sea Water Lines Gp. Refer to Illustration 2.

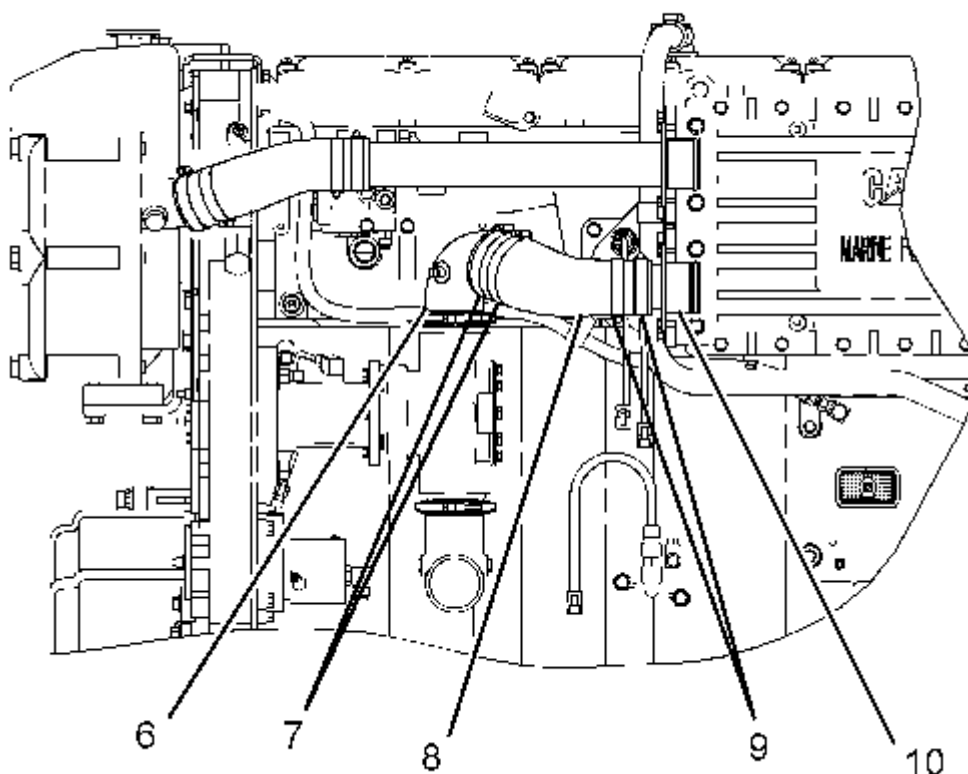


Illustration 2

g02027443

(6) 350-3558 Elbow

(7) Two 144-0367 Hose Clamps

(8) 348-7211 Hose

(9) Two 8T-4984 Hose Clamps

(10) 350-3565 Tube As

This change is adaptable back to first production on the serial numbers that are listed above with the appropriate configuration of auxiliary water pump.

Copyright 1993 - 2010 Caterpillar Inc.
All Rights Reserved.
Private Network For SIS Licensees.

Tue Mar 2 07:37:04 UTC+0100 2010