

[Previous Screen](#)

Product: NO EQUIPMENT SELECTED
Model: NO EQUIPMENT SELECTED
Configuration: NO EQUIPMENT SELECTED

Engine News

2010/03/12

Media Number -SEBD9637-00

Publication Date -12/03/2010

Date Updated -12/03/2010

i03873804

A New Screw Is Available for the Rocker Arm Assemblies of Some Commercial Engines {1123}

SMCS - 1123-OA

Electric Power Generation:

C15 (S/N: LWR1-UP)

Engine:

3406E (S/N: 4AS1-UP)

C-15 (S/N: C2A1-UP)

C15 (S/N: LDN1-UP; ZKA1-UP)

C18 (S/N: ZKB1-UP; RRC1-UP; EJG1-UP; BDN1-UP; DES1-UP)

Generator Set:

3406E (S/N: 9NN1-UP; 8AZ1-UP)

3456 (S/N: CCB1-UP; EPE1-UP; C1G1-UP; C3G1-UP; C4G1-UP; CAH1-UP; GHJ1-UP; C2T1-UP; CBX1-UP; 9BZ1-UP; DPG1-UP)

C15 (S/N: T4A1-UP; PEC1-UP; C5E1-UP; STG1-UP; C5H1-UP; C5L1-UP; NKL1-UP; X4R1-UP; MBS1-UP; SNW1-UP; CYY1-UP; PET1-UP)

C18 (S/N: C6C1-UP; G4C1-UP; N1C1-UP; N1D1-UP; STD1-UP; DKE1-UP; PEE1-UP; PEJ1-UP; NKK1-UP; STM1-UP; M1P1-UP; DES1-UP; EKW1-UP; M1Y1-UP; M1Z1-UP; DCT1-UP; GBM1-UP; CYN1-UP; GEN1-UP; MGS1-UP)

Industrial Engine:

3406E (S/N: 6BR1-UP)

3456 (S/N: 3LW1-UP)

C-15 (S/N: BEM1-UP)

C-16 (S/N: BFM1-UP)

C15 (S/N: JRE1-UP; JAS1-UP)

C18 (S/N: JDA1-UP; NBB1-UP; WJH1-UP)

Marine Engine:

3406E (S/N: 9WR1-UP)

C15 (S/N: RLA1-UP)

C18 (S/N: WKB1-UP; PLE1-UP; CKH1-UP; C1J1-UP; P1N1-UP; P2N1-UP; GES1-UP; KJT1-UP; JKX1-UP; NAX1-UP; NAY1-UP; J2K1-UP; T2P1-UP)

Mobile Hydraulic Power Unit:

385C MHPU (S/N: MSF1-UP)

Petroleum Engine:

C-15 (S/N: Z2C1-UP)

C15 (S/N: JDK1-UP)

C18 (S/N: MPE1-UP; WJW1-UP)

Petroleum Power Train Package:
CX35-P800-C18I (S/N: PCZ1-UP)
TH35-C15I (S/N: PBN1-UP)
TH35-C15T (S/N: PBL1-UP)
Petroleum Transmission:
TH35-E81 (S/N: TZM1-UP)
Power Module:
C18 (S/N: X6X1-UP)
PM3456 (S/N: B3G1-UP)

Caterpillar Remanufacturing is now allowing the use of the 197-3053 Screw in place of the existing 274-4491 Arm Adjustment Screw and the 232-0253 Arm Adjustment Screw in the 10R-1364 Rocker Arm As and the 10R-4522 Rocker Arm As. Refer to Illustration 1 for the differences in the screws.

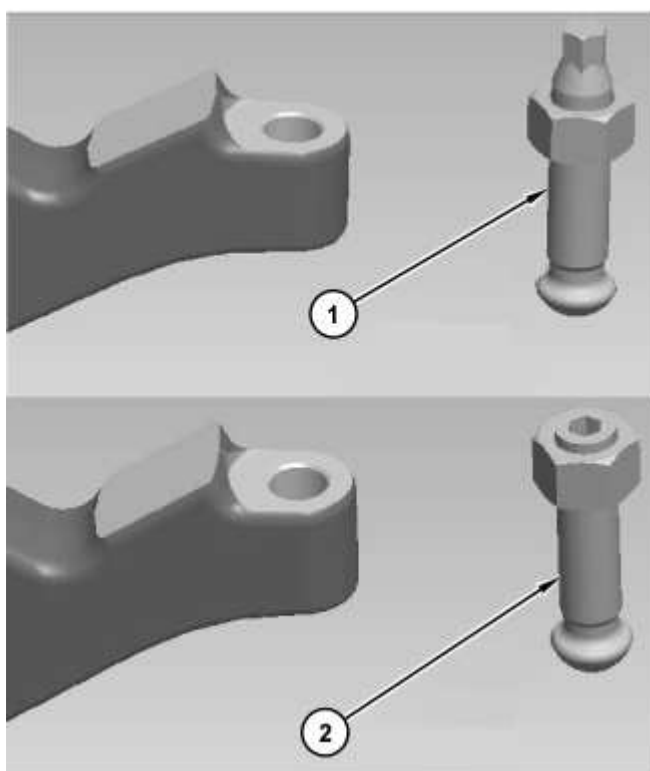


Illustration 1

g02126227

(1) 197-3053 Screw

(2) 274-4491 Arm Adjustment Screw and 232-0253 Arm Adjustment Screw

The functionality of the 197-3053 Screw, the 274-4491 Arm Adjustment Screw, and the 232-0253 Arm Adjustment Screw is identical and the screws can be used on the same rocker shaft assemblies.