



# Cat<sup>®</sup> 247B Series 3

## MULTI TERRAIN LOADER

### FEATURES:

The Cat<sup>®</sup> 247B Series 3 Multi Terrain Loader, with its radial lift design, delivers excellent digging performance with outstanding drawbar power. Its suspended undercarriage system provides superior traction, flotation and the ability to work in a wide range of underfoot conditions. The 247B Series 3 features the following:

- **Ergonomic operator station** features easy to use pilot operated joystick controls for reduced operator fatigue and increased productivity.
- **High performance power train** provides high engine horsepower and torque, allowing part-throttle operation for lower sound levels and fuel consumption.
- **Advanced hydraulic system** is designed for maximum power and reliability.
- **Single level suspension undercarriage** provides low ground pressure, stability, high traction and fast travel.
- **Easy routine maintenance** helps reduce machine downtime for greater productivity.
- **Broad range of performance matched Cat<sup>®</sup> Work Tools** make the Cat Multi Terrain Loader the most versatile machine on the jobsite.

## Specifications

### Engine

Engine Model	Cat <sup>®</sup> C2.2 T	
Gross Power SAE J1995	46 kW	62 hp
Net Power SAE 1349/ISO 9249	42 kW	56 hp
Displacement	2.2 L	134 in <sup>3</sup>
Stroke	100 mm	3.9 in
Bore	84 mm	3.3 in

### Weights\*

Operating Weight	3174 kg	6,997 lb
------------------	---------	----------

### Power Train

Travel Speed (Forward or Reverse)	11.3 km/h	7.0 mph
-----------------------------------	-----------	---------

### Hydraulic System

Hydraulic Flow – Standard:		
Loader Hydraulic Pressure	23 000 kPa	3,335 psi
Loader Hydraulic Flow	61 L/min	16 gal/min
Hydraulic Power (calculated)	23.2 kW	31 hp

\* Operating Weight, Operating Specifications and Dimensions all based on 75 kg (165 lb) operator, all fluids, OROPS, 1676 mm (66 in) dirt bucket, no optional counterweights and manual quick coupler (unless otherwise noted).

### Operating Specifications\*

Rated Operating Capacity:		
35% Tipping Load	683 kg	1,505 lb
50% Tipping Load	975 kg	2,150 lb
Tipping Load	1950 kg	4,300 lb
Breakout Force, Tilt Cylinder	1842 kg	4,060 lb
Ground Contact Area	1.14 m <sup>2</sup>	1,770 in <sup>2</sup>
Ground Pressure	27.3 kPa	4.0 psi

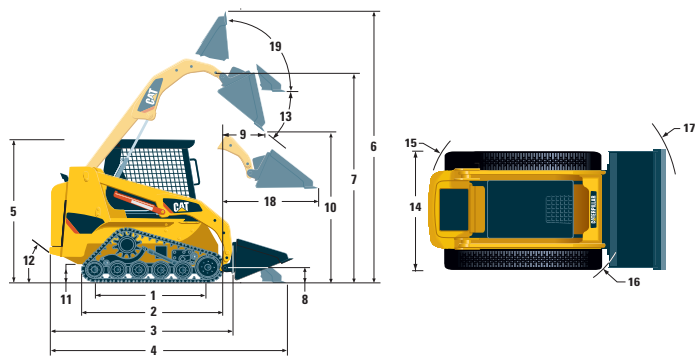
### Cab

ROPS	SAE J1040 MAY94, ISO 3471:1994	
FOPS	SAE J/ISO 3449 APR98 Level I, ISO 3449:1992 Level I	
FOPS Level II	SAE J/ISO 3449 APR98 Level II, ISO 3449:1992 Level II (optional)	

### Service Refill Capacities

Cooling System	10 L	2.6 gal
Engine Crankcase	10 L	2.6 gal
Fuel Tank	65 L	17 gal
Hydraulic System	55 L	14.5 gal
Hydraulic Tank	35 L	9.2 gal

# 247B Series 3 Multi Terrain Loader



## Dimensions\*

1 Length of Track on Ground	1499 mm	59 in
2 Overall Length of Track	1899 mm	75 in
3 Length w/o Bucket	2518 mm	99 in
4 Length w/Bucket on Ground	3285 mm	129 in
5 Height to Top of Cab	1990 mm	78 in
6 Maximum Overall Height	3799 mm	150 in
7 Bucket Pin Height at Maximum Lift	2862 mm	112 in
8 Bucket Pin Height at Carry Position	220 mm	8.7 in
9 Reach at Maximum Lift and Dump	625 mm	25 in
10 Clearance at Maximum Lift and Dump	2134 mm	84 in
11 Ground Clearance	267 mm	10 in
12 Departure Angle	41°	
13 Maximum Dump Angle	40°	
14 Vehicle Width	1676 mm	66 in
15 Turning Radius from Center – Machine Rear	1377 mm	54 in
16 Turning Radius from Center – Coupler	1312 mm	52 in
17 Turning Radius from Center – Bucket	2095 mm	82 in
18 Maximum Reach w/Arms Parallel to Ground	1339 mm	53 in
19 Rack Back Angle at Maximum Height	82°	

## MANDATORY EQUIPMENT

- Quick Coupler, Mechanical or Hydraulic
- Seat Belt, 50 mm (2 in) or 75 mm (3 in)
- EU Preparation Package (includes Demand Fan) (Europe only)

### COMFORT PACKAGE (must select one of the following)

- Open ROPS (C0): *Static Seat*
- Open ROPS (C1): *Suspension Seat, Deluxe Headliner*
- Enclosed ROPS (C2): *C1 + Heater, Cab Door, Side Windows, Cup Holder, Cab Debris Barrier*
- Enclosed ROPS (C3): *C2 + Air Conditioner*

### CONTROL PACKAGE (must select one of the following)

- Control Package 1: *On/Off Auxiliary Hydraulics Basic*
- Control Package 2: *Proportional Auxiliary Hydraulics Deluxe*
- Control Package 3: *Proportional Auxiliary Hydraulics Deluxe, Work Tool Harness*

## STANDARD EQUIPMENT

### ELECTRICAL

- 12 volt Electrical System
- 85 ampere Alternator
- Automatic Glow Plug Activation
- Ignition Key Start/Stop Switch
- Lights: *Gauge Backlighting, Two Rear Tail Lights, Two Adjustable Front and Rear Halogen Lights, Dome Light*

### OPERATOR ENVIRONMENT

- Gauges: *Fuel Level, Hour Meter*
- Operator Warning System Indicators: *Air Filter Restriction, Alternator Output, Armrest Raised/Operator Out of Seat, Engine Coolant Temperature, Engine Oil Pressure, Glow Plug Activation, Hydraulic Filter Restriction, Hydraulic Oil Temperature, Parking Brake Engaged*
- Vinyl Seat
- Pull Down Ergonomic Contoured Armrest
- Control Interlock System, when operator leaves seat or armrest raised: *Hydraulic System Disables, Hydrostatic Transmission Disables, Parking Brake Engages*
- ROPS Cab, Open, Tilt Up
- FOPS, Level I
- Top and Rear Windows
- Floor Mat
- Interior Rear View Mirror
- 12 volt Electric Socket
- Backup Alarm
- Horn

### POWER TRAIN

- Cat® C2.2 T Tier 4 Interim/Stage IIIA Compliant Diesel Engine
- Air Cleaner, Dual Element, Radial Seal
- S-O-S<sup>SM</sup> Sampling Valve, Hydraulic Oil
- Filters: Spin on, Hydraulic
- Filters: Bayonet-type, Fuel and Water Separator
- Tilt Up Radiator/Hydraulic Oil Cooler
- Muffler, Standard
- Spring Applied, Hydraulically Released Parking Brakes
- Hydrostatic Transmission

### OTHER

- Engine Enclosure, Lockable
- Extended Life Antifreeze, -36° C (-33° F)
- Machine Tie Down Points (4)
- Support, Lift Arm
- Hydraulic Oil Level Sight Gauge
- Radiator Coolant Level Sight Gauge
- Radiator, Expansion Bottle
- Cat® ToughGuard™ Hose
- Auxiliary, Hydraulics, Continuous Flow
- Heavy Duty, Flat Faced Quick Disconnects
- Split D-Ring to Route Work Tool Hoses Along Side of Left Lift Arm
- Electrical Outlet, Beacon
- Belly Pan Cleanout

## OPTIONAL ATTACHMENTS

- Beacon, Rotating
- Variable Speed Demand Fan
- Engine Block Heater – 120V or 240V
- Oil, Hydraulic, Cold Operation
- Paint, Custom
- Heavy Duty Battery, 880 CCA

For more complete information on Cat products, dealer services, and industry solutions, visit us on the web at [www.cat.com](http://www.cat.com)

AEHQ6107 (05-10)

© 2010 Caterpillar  
All Rights Reserved  
Printed in U.S.A.

Materials and specifications are subject to change without notice. Featured machines in photos may include additional equipment. See your Caterpillar dealer for available options.

CAT, CATERPILLAR, SAFETY.CAT.COM, their respective logos, "Caterpillar Yellow" and the "Power Edge" trade dress, as well as corporate and product identity used herein, are trademarks of Caterpillar and may not be used without permission.

**CATERPILLAR®**