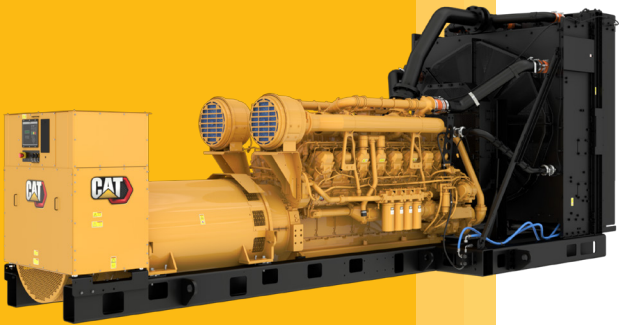




# ELECTRIC POWER RATINGS GUIDE

# 2023



*Eighteenth Edition*



## Cat® Diesel Generator Sets

50 Hz Ratings	4 – 6
50 Hz Ratings – Cat GC Global	7
50 Hz Ratings – Heavy Fuel	7
60 Hz Ratings	8 – 11
60 Hz Ratings – Cat GC Global	11 – 12
60 Hz Ratings – Cat GC North America	12 – 13
60 Hz Ratings – Heavy Fuel	13
50 & 60 Hz Ratings – Rental Power	13 – 14
Definitions	15

## Cat Gas Generator Sets

50 Hz Ratings – Natural Gas	18 – 19
50 Hz Ratings – Biogas	19
60 Hz Ratings – Natural Gas	20 – 21
60 Hz Ratings – Power Solutions	21
60 Hz Ratings – Biogas	22
50 & 60 Hz Ratings – Rental Power	22
Definitions	23

## Renewable Hybrid Energy Solutions

Photovoltaic Panels (PV)	26
PV Inverter Options CE Mark & UL Listed	27
Weather Stations	28
Microgrid Master Controllers (MMC)	29
Microgrids & Renewable Energy Systems	30
Power Grid Stabilization (PGS)	30
Energy Time Shift (ETS)	31
Energy Capacity Expansion (ECE)	31

<b>EMCP 4</b>	34 – 35
Product Features	36

## Systems Products

Advanced Control	40 – 41
Paralleling Switchgear and Cat Switchgear Selector	42 – 43
ATS, ATC Line and TruONE & MX Line	44
Temporary Generator Connections	45

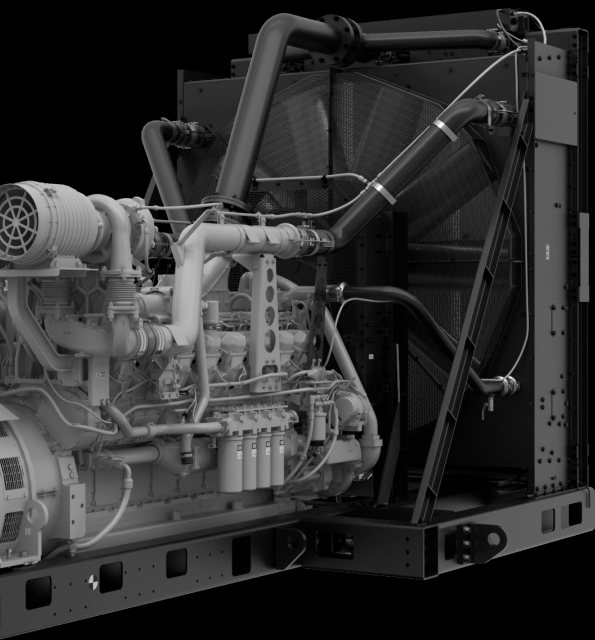
<b>Cat Connect and Product Support</b>	48 – 52
--	---------



**3516E 60 Hz**



# DIESEL GENERATOR SETS



# DIESEL

## 50 Hz, 6.8 – 200 kVA RATINGS

kVA		Generator Set Model	Engine	Configuration
Standby	Prime			
<b>Single Phase Output* 1500 rpm</b>				
7.5	6.8	DE7.5E3S	C1.1	R96/EU Stage IIIA Equivalent
11	10	DE11E3S	C1.5	R96/EU Stage IIIA Equivalent
12	11	DE12E0S	C1.5	Low BSFC
14	13	DE14E3S	C2.2	R96/EU Stage IIIA Equivalent
16.5	15	DE16E3S	C2.2	R96/EU Stage IIIA Equivalent
26	24	DE26E0S	C3.3	Low BSFC
26	24	DE26E3S	C3.3	R96/EU Stage IIIA Equivalent
40	36	DE40E0S	C3.3	Low BSFC
40	36	DE40E2S	C3.3	R96/EU Stage II Equivalent
50	45	DE50E0S	C3.3	Low BSFC
55	50	DE55E3S	C4.4	R96/EU Stage IIIA
90	82	DE90E2S	C4.4	R96/EU Stage II Equivalent
90	82	DE90E3S	C4.4	R96/EU Stage IIIA
<b>Three Phase Output** 1500 rpm</b>				
9.5	8.5	DE9.5E3	C1.1	R96/EU Stage IIIA Equivalent
13.5	12.5	DE13.5E3	C1.5	R96/EU Stage IIIA Equivalent
16	14.5	DE16E0	C1.5	Low BSFC
18	16.5	DE18E3	C2.2	R96/EU Stage IIIA Equivalent
22	20	DE22E3	C2.2	R96/EU Stage IIIA Equivalent
33	30	DE33E0	C3.3	Low BSFC
33	30	DE33E3	C3.3	R96/EU Stage IIIA Equivalent
49	45	DE56AE0	C3.3	Low BSFC
50	45	DE50E0	C3.3	Low BSFC
50	45	DE50E2	C3.3	EU Stage II Equivalent
55	50	DE55E0	C3.3	Low BSFC
55	50	DE55E2	C4.4	EU Stage II Equivalent
65	60	DE65E0	C3.3	Low BSFC
65	60	DE65E3	C4.4	R96/EU Stage IIIA
88	80	DE88E0	C4.4	Low BSFC
65	60	DE75AE0	C3.3	Low BSFC
88	80	DE100AE0	C4.4	Low BSFC
88	80	DE88E3	C4.4	R96/EU Stage IIIA
110	100	DE125AE0	C4.4	Low BSFC
110	100	DE110E2	C4.4	EU Stage II Equivalent
110	100	DE110E3	C4.4	R96/EU Stage IIIA
149	135	DE169AE0	C7.1	Low BSFC
150	135	DE150E0	C7.1	Low BSFC
165	150	DE165E0	C7.1	Low BSFC
165	150	DE165E3	C7.1	R96/EU Stage IIIA Equivalent
175	160	DE175E3	C7.1	R96/EU Stage IIIA Equivalent
200	180	DE200E0	C7.1	Low BSFC

\*All ratings at 1.0 pf. \*\*All ratings at 0.8 pf.

## 50 Hz, 180 – 850 kVA RATINGS

kVA		Generator Set Model	Engine	Configuration
Standby	Prime			
<b>1500 rpm</b>				
200	180	DE218AE0	C7.1	Low BSFC
200	180	DE200E3	C7.1	R96/EU Stage IIIA Equivalent
220	200	DE220E0	C7.1	Low BSFC
250	230	DE250E0	C9	Low BSFC
275	250	DE275E0	C9	Low BSFC
275	250	DE275E3	C9	R96/EU Stage IIIA Equivalent
300	275	DE300E0	C9	Low BSFC
300	275	DE300E3	C9	R96/EU Stage IIIA Equivalent
330	300	DE330E0	C9	Low BSFC
—	350	DE350C3	C13	China Non-Road Stage III
—	400	DE400C3	C13	China Non-Road Stage III
400	350	DE400E0	C13	Low BSFC
450	400	DE450E0	C13	Low BSFC
450	400	DE450E3	C13	R96/EU Stage IIIA Equivalent
450	400	—	C15	Low BSFC
—	450	DE450C3	C15	China Non-Road Stage III
—	500	DE500C3	C15	China Non-Road Stage III
500	455	DE500E0	C15	Low BSFC
550	500	DE550E0	C15	Low BSFC
550	500	DE550E3	C15	R96/EU Stage IIIA Equivalent
605	550	DE605E0	C18	Low BSFC
—	600	DE600C3	C18	China Non-Road Stage III
660	600	DE660E0	C18	Low BSFC
700	635	—	C18	Low BSFC
715	650	DE715E0	C18	Low BSFC
780	706	DE780E0	C18	Low BSFC
850	770	DE850E0	C18	Low BSFC

## 50 Hz, 680 – 1250 kVA RATINGS

kVA					Generator Set Model	Configuration
Standby	Mission Critical	Prime	Prime-DCP	Contin.		
<b>1500 rpm</b>						
750	—	680	—	—	3412C	Low BSFC
800	—	725	—	—	3412C	Low BSFC
900	—	810	—	—	3412C	Low BSFC
1100	1100	1000	—	910	C32	Low BSFC, Low Emissions
1250	1250	1100	—	—	C32	Low BSFC

# DIESEL

## 50 Hz, 1000 – 7150 kVA RATINGS

kVA					Generator Set Model	Configuration
Standby	Mission Critical	Prime	Prime-DCP	Contin.		
<b>1500 rpm</b>						
1250	1250	1150	1150	1000	3512	Low BSFC
1400	1400	1275	—	—	C32	Low BSFC
1400	1400	1275	1275	1206	3512	Low BSFC
1500	1500	1375	—	—	C32	Low BSFC
1500	1500	1360	1360	—	3512B	Low BSFC, Low Emissions
1600	1600	1500	1500	1320	3512B	Low BSFC, Low Emissions
1625	1625	—	—	—	3512B	Low BSFC, Low Emissions
1750	1750	1600	1600	—	3512B	Low BSFC, Low Emissions
1875	1875	1700	1700	1500	3512B	Low BSFC, Low Emissions
2000	2000	1825	1825	1600	3516	Low BSFC
2250	2250	2045	2045	—	3516C	< 2000 mg NO <sub>x</sub> , EPA Tier 2
2250	2250	2000	2000	1750	3516B	Low BSFC, Low Emissions
—	—	2000	—	1750	3516B DGB	Low BSFC
—	—	2275	—	2000	3516B DGB	Low BSFC
2500	2500	2275	2275	2000	3516B	Low BSFC, Low Emissions
2750	2750	2500	2500	—	3516C	< 2000 mg NO <sub>x</sub> , EPA Tier 2
2750	2750	2500	2500	—	3516C	Low BSFC, Low Emissions
3000	3000	2725	2725	—	3516E	< 2000 mg NO <sub>x</sub> , EPA Tier 2
3000	3000	2725	2725	2500	C175-16	Low BSFC
3000	3000	—	—	—	C175-16	Low Emissions
3000	3000	2750	2750	—	3516E	Low BSFC
3250	3250	2950	2950	—	3516E	< 2000 mg NO <sub>x</sub> , EPA Tier 2
3500	3500	3175	3175	—	3516E	EPA Tier 2
3900	3900	3500	3500	3150	C175-20	Low BSFC
3900	3900	—	—	—	C175-20	Low Emissions
4000*	4000*	3600*	3600*	3250*	C175-20	Low BSFC
4000*	4000*	—	—	—	C175-20	Low Emissions
<b>1000 rpm</b>						
2688	—	2425	—	2200	3606	Low BSFC
3575	—	3250	—	2938	3608	Low BSFC
—	—	3250	—	2938	C280-8	IMO/U.S. EPA Tier 2
5375	—	4850	—	4400	3612	Low BSFC
—	—	4850	—	4400	C280-12	IMO/EPA Tier 2
7150	—	6500	—	5875	3616	Low BSFC
—	—	6500	—	5875	C280-16	IMO/EPA Tier 2
<b>750 rpm</b>						
1963	—	1963	—	—	3606	Low BSFC
2600	—	2600	—	—	3608	Low BSFC
3925	—	3925	—	—	3612	Low BSFC
5200	—	5200	—	—	3616	Low BSFC

\*Rating does not include package mounted radiator.

## 50 Hz, 33 – 1500 kVA RATINGS — Cat GC GLOBAL

kVA		Generator Set Model	Engine	Configuration
Standby	Prime			
<b>1500 rpm</b>				
33	—	DE33 GC	C3.3	Low BSFC
50	—	DE50 GC	C3.3	Low BSFC
55	—	DE55 GC	C3.3	Low BSFC
65	—	DE65 GC	C3.3	Low BSFC
88	—	DE88 GC	C4.4	Low BSFC
110	—	DE110 GC	C4.4	Low BSFC
150	—	DE150 GC	C7.1	Low BSFC
163.9	—	DE165 GC	C7.1	Low BSFC
200	—	DE200 GC	C7.1	Low BSFC
217	—	DE220 GC	C7.1	Low BSFC
400	—	DE400 GC	C9.3B	Low BSFC
450	—	DE450 GC	C13	Low BSFC
500	—	DE500 GC	C13	Low BSFC
550	—	DE550 GC	C13	Low BSFC
605	—	DE605 GC	C15	Low BSFC
660	—	DE660 GC	C15	Low BSFC
715	—	DE715 GC	C15	Low BSFC
1100	—	DE1100 GC	C32	Low BSFC
1250	—	DE1250 GC	C32	Low BSFC
1400	—	DE1400 GC	C32	Low BSFC
1500	—	DE1500 GC	C32	Low BSFC

## 50 Hz, 2000 – 5400 kVA RATINGS — HEAVY FUEL

Continuous		Generator Set Model*	Configuration
kVA	bkW		
<b>1000 rpm</b>			
2000	1680	3606	Low BSFC
2700	2240	3608	Low BSFC
4050	3360	3612	Low BSFC
5400	4480	3616	Low BSFC

\*Special rating request required.

## 60 Hz, 8 – 600 ekW RATINGS

ekW		Generator Set Model	Engine	Configuration
Standby	Prime			
<b>Single Phase Output* 1800 rpm</b>				
8.8	8	DE7.5E3S	C1.1	R96/EU Stage IIIA Equivalent
13	12	DE11E3S	C1.5	R96/EU Stage IIIA Equivalent
17	15.5	DE14E3S	C2.2	R96/EU Stage IIIA Equivalent
19.4	17.6	DE16E3S	C2.2	R96/EU Stage IIIA Equivalent
45	40	DE40E0S	C3.3	Low BSFC
60	55	DE50E0S	C3.3	Low BSFC
99.5	90	DE90E2S	C4.4	EU Stage II Equivalent
<b>Three Phase Output** 1800 rpm</b>				
8.8	8	DE9.5E3	C1.1	R96/EU Stage IIIA Equivalent
13.2	12	DE13.5E3	C1.5	R96/EU Stage IIIA Equivalent
17.6	16	DE18E3	C2.2	R96/EU Stage IIIA Equivalent
20	18	DE22E3	C2.2	R96/EU Stage IIIA Equivalent
30	27	DE33E0	C3.3	Low BSFC
45	40	DE56AE0	C3.3	Low BSFC
45	40	DE50E0	C3.3	Low BSFC
50	45	DE55E0	C3.3	Low BSFC
60	55	DE75AE0	C3.3	Low BSFC
60	55	DE65E0	C3.3	Low BSFC
80	72	DE100AE0	C4.4	Low BSFC
80	72	DE88E0	C4.4	Low BSFC
100	90	DE125AE0	C4.4	Low BSFC
100	90.4	DE110E2	C4.4	EU Stage II Equivalent
132	120	DE150E0	C7.1	Low BSFC
135	120	DE169AE0	C7.1	Low BSFC
150	135	DE165E0	C7.1	Low BSFC
174	157	DE218AE0	C7.1	Low BSFC
175	160	DE200E0	C7.1	Low BSFC
200	180	DE200SE0	C9	Low BSFC
250	225	DE250SE0	C9	Low BSFC
275	250	DE275SE0	C9	Low BSFC
300	270	DE300SE0	C9	Low BSFC
350	320	DE350SE0	C13	Low BSFC
400	350	DE400SE0	C13	Low BSFC
450	410	DE450SE0	C15	Low BSFC
500	455	DE500SE0	C15	Low BSFC
550	500	DE550SE0	C18	Low BSFC
600	545	DE600SE0	C18	Low BSFC

\*All ratings at 1.0 pf. \*\*All ratings at 0.8 pf.

## 60 Hz, 600 – 750 kW RATINGS

kW		Generator Set Model	Engine	Configuration
Standby	Prime			
<b>1800 rpm</b>				
650	600	DE650SE0	C18	Low BSFC
716	650	DE715SE0	C18	Low BSFC
750	680	DE750SE0	C18	Low BSFC

## 60 Hz, 20 – 400 kW RATINGS EPA Stationary Emergency – North America.

kW		Generator Set Model	Engine	Configuration
Standby	Prime			
<b>Single Phase Output* 1800 rpm</b>				
20	—	D20	C2.2	ESE
25	—	D25	C2.2	ESE
30	—	D30	C2.2	ESE
40	36	D40S	C4.4	ESE
50	45	D50S	C4.4	ESE
60	55	D60S	C4.4	ESE
80	72	D80S	C4.4	ESE
100	90	D100S	C4.4	ESE
<b>Three Phase Output** 1800 rpm</b>				
20	—	D20	C2.2	ESE
25	—	D25	C2.2	ESE
30	—	D30	C2.2	ESE
40	36	D40	C4.4	ESE
50	45	D50	C4.4	ESE
60	55	D60	C4.4	ESE
80	72	D80	C4.4	ESE
100	90	D100	C4.4	ESE
125	114	D125	C7.1	ESE
150	136	D150	C7.1	ESE
175	158	D175	C7.1	ESE
200	—	D200	C7.1	ESE
200	180	200	C9	ESE
250	225	250	C9	ESE
300	275	300	C9	ESE
350	320	350	C13	ESE
400	365	400	C13	ESE
350	320	350	C15	ESE
400	365	400	C15	ESE

\*All ratings at 1.0 pf. \*\*All ratings at 0.8 pf. ESE = "EPA Stationary Emergency".

# DIESEL

## 60 Hz, 410 – 750 ekW RATINGS EPA Stationary Emergency – North America.

ekW		Generator Set Model	Engine	Configuration
Standby	Prime			
<b>1800 rpm</b>				
450	410	450	C15	ESE
500	455	500	C15	ESE
500	455	500	C18	EPA Tier 4 Final
550	500	550	C18	ESE
600	545	600	C18	ESE
650	600	650	C18	ESE
700	635	700	C18	ESE
750	680	750	C18	ESE

ESE = "EPA Stationary Emergency".

## 60 Hz, 635 – 2750 ekW RATINGS

ekW					Generator Set Model	Configuration
Standby	Mission Critical	Prime	Prime-DCP	Contin.		
<b>1800 rpm</b>						
700	—	635	—	—	3412C	Low BSFC
750	—	680	—	—	C27	ESE, Low BSFC
750	—	680	—	—	3412C	Low BSFC
800	800	725	—	—	C27	ESE, Low BSFC
800	—	725	—	—	3412C	Low BSFC
1000	1000	910	—	830	C32	ESE, Low BSFC
1100	1100	1000	1000	890	3512	Low BSFC
1100	1100	1000	—	—	C32	ESE, Low BSFC
1250	1250	1136	—	—	C32	ESE, Low BSFC
1250	1250	1135	1135	1010	3512	Low BSFC
1400	1400	1275	1275	—	3512B	Low BSFC, Low Emissions
1500	1500	1360	1360	1230	3512B	Low BSFC, Low Emissions
1500	1500	1360	1360	1230	3512C	ESE
1750	1750	1600	1600	—	3512C	ESE
1750	1750	1600	1600	1450	3516	Low BSFC
2000	2000	1825	1825	1640	3516B	Low BSFC, Low Emissions
—	—	1825	—	1640	3516B DGB	Low BSFC
2000	2000	1825	1825	1650	3516C	ESE
2000	2000	1825	1825	1650	3516C	EPA Tier 4 Final
2250	2250	2000	2000	—	3516B	Low BSFC
2250	2250	2045	2045	—	3516C	ESE
2500	2500	2250	2250	2050	3516C	ESE
2500	2500	2250	2250	—	3516C	EPA Tier 4 Final
2750	2750	2500	2500	—	3516E	ESE

ESE = "EPA Stationary Emergency".



## 60 Hz, 2725 – 4000 kW RATINGS

kW					Generator Set Model	Configuration
Standby	Mission Critical	Prime	Prime-DCP	Contin.		
<b>1800 rpm</b>						
3000	3000	2725	2725	—	3516E	ESE
3000	3000	2725	2725	2500	C175-16	EPA Tier 4 Final, ESE, Low BSFC
3250	3250	3000	3000	—	C175-16	ESE
3500	3500	3180	3180	—	C175-20	ESE
3900	3900	3500	3500	3150	C175-20	ESE, Low BSFC
4000*	4000*	3600*	3600*	3250*	C175-20	ESE, Low BSFC

ESE = "EPA Stationary Emergency".

\*Rating does not include package mounted radiator.

## 60 Hz, 1525 – 5320 kW RATINGS

kW			Generator Set Model	Configuration
Standby	Prime	Continuous		
<b>900 rpm</b>				
2000	1820	1650	3606	Low BSFC
2660	2420	2200	3608	Low BSFC
—	2420	2200	C280-8*	EPA Tier 4 Final
4000	3640	3300	3612	Low BSFC
—	3640	3300	C280-12*	EPA Tier 4 Final
5320	4840	4400	3616	Low BSFC
—	4840	4400	C280-16*	EPA Tier 4 Final
<b>720 rpm</b>				
—	1525	—	3606	Low BSFC
—	2020	—	3608	Low BSFC
—	3050	—	3612	Low BSFC
—	4040	—	3616	Low BSFC

\*Tier 4 Final is met using AVERAGE, BANKING, and TRADING PROGRAM.

## 60 Hz, 30 – 100 kW RATINGS — Cat GC GLOBAL

kW		Generator Set Model	Engine	Configuration
Standby	Prime			
<b>1800 rpm</b>				
30	—	DE33 GC	C3.3	Low BSFC
45	—	DE50 GC	C3.3	Low BSFC
50	—	DE55 GC	C3.3	Low BSFC
60	—	DE65 GC	C3.3	Low BSFC
80	—	DE88 GC	C4.4	Low BSFC
100	—	DE110 GC	C4.4	Low BSFC

# DIESEL

## 60 Hz, 132 – 1250 kW RATINGS — Cat GC GLOBAL

kW		Generator Set Model	Engine	Configuration
Standby	Prime			
<b>1800 rpm</b>				
132	—	DE150 GC	C7.1	Low BSFC
150	—	DE165 GC	C7.1	Low BSFC
175	—	DE200 GC	C7.1	Low BSFC
350	—	DE350S GC	C9.3	Low BSFC
400	—	DE400S GC	C9.3	Low BSFC
450	—	DE450S GC	C13	Low BSFC
500	—	DE500S GC	C13	Low BSFC
550	—	DE550S GC	C15	Low BSFC
600	—	DE600S GC	C15	Low BSFC
800	—	DE800S GC	C27	Low BSFC
1000	—	DE1000S GC	C32	Low BSFC
1250	—	DE1250S GC	C32	Low BSFC

## 60 Hz, 40 – 400 kW RATINGS — Cat GC NORTH AMERICA

kW		Generator Set Model	Engine	Configuration
Standby	Prime			
<b>Single Phase Output* 1800 rpm</b>				
40	—	D40 GC	C4.4	ESE
50	—	D50 GC	C4.4	ESE
60	—	D60 GC	C4.4	ESE
80	—	D80 GC	C4.4	ESE
100	—	D100 GC	C4.4	ESE
<b>Three Phase Output** 1800 rpm</b>				
40	—	D40 GC	C4.4	ESE
50	—	D50 GC	C4.4	ESE
60	—	D60 GC	C4.4	ESE
80	—	D80 GC	C4.4	ESE
100	—	D100 GC	C4.4	ESE
125	—	D125 GC	C7.1	ESE
150	—	D150 GC	C7.1	ESE
175	—	D175 GC	C7.1	ESE
200	—	D200 GC	C7.1	ESE
250	—	D250 GC	C9	ESE
300	—	D300 GC	C9	ESE
350	—	D350 GC	C13	ESE
400	—	D400 GC	C13	ESE

\*All ratings at 1.0 pf. \*\*All ratings at 0.8 pf. ESE = "EPA Stationary Emergency".

## 60 Hz, 450 – 1250 ekW RATINGS — Cat GC NORTH AMERICA

ekW		Generator Set Model	Engine	Configuration
Standby	Prime			
<b>1800 rpm</b>				
450	—	D450 GC	C15	ESE
500	—	D500 GC	C15	ESE
550	—	D550 GC	C18	ESE
600	—	D600 GC	C18	ESE
800	—	D800 GC	C27	ESE
1000	—	D1000 GC	C32	ESE
1250	—	D1250 GC	C32	ESE

ESE = "EPA Stationary Emergency".

## 60 Hz, 1500 – 4000 ekW RATINGS — HEAVY FUEL

Continuous		Generator Set Model*	Configuration
ekW	bkW		
<b>900 rpm</b>			
1500	1570	3606	Low BSFC
2000	2090	3608	Low BSFC
3000	3140	3612	Low BSFC
4000	4180	3616	Low BSFC

\*Special rating request required.

## 50 Hz, 30 – 2000 kVA RATINGS — RENTAL POWER

kVA			Generator Set Model	Configuration
Standby	Prime	Continuous		
<b>1500 rpm</b>				
22	20	—	XQP20	EU Stage V
33	30	—	XQP30	Low BSFC
65	60	—	XQP60	R96/EU Stage IIIA Equivalent
110	100	—	XQP100	Low BSFC
125	114	—	XQP115	EU Stage V
165	150	—	XQP150	Low BSFC
220	200	—	XQP200	EU Stage V
330	300	—	XQP300	Low BSFC
340	310	—	XQP310	EU Stage V
550	500	—	XQP500	Low BSFC
605	550	—	XQP550	EU Stage V
1210	1100	—	XQP1100	Low BSFC
—	—	1438	XQC1200	Low BSFC / Low Emissions
—	—	1893	XQC1600	Low BSFC / Low Emissions
—	2000	1750	XQ2000 DGB™	Low BSFC

# DIESEL

## 60 Hz, 28 – 1705 ekW RATINGS — RENTAL POWER

ekW			Generator Set Model	Configuration
Standby	Prime	Continuous		
<b>1800 rpm</b>				
31	28	—	XQP30	Low BSFC
60	54	—	XQP60	R96/EU Stage IIIA Equivalent
103	94	—	XQP100	Low BSFC
137	125	—	XQP115	EU Stage V
149	135	—	XQP150	Low BSFC
198	180	—	XQP200	EU Stage V
302	275	—	XQP300	Low BSFC
297	270	—	XQP310	EU Stage V
460	420	—	XQP500	Low BSFC
512	470	—	XQP550	EU Stage V
1067	970	—	XQP1100	Low BSFC
—	—	1260	XQC1200	Low BSFC, Low Emissions
—	—	1705	XQC1600	Low BSFC, Low Emissions

## 60 Hz, 34 – 2500 kVA RATINGS — RENTAL POWER

kVA			Generator Set Model	Configuration
Standby	Prime	Continuous		
<b>1800 rpm</b>				
20	20	—	XQ20	EPA Tier 4 Final
38	34	—	XQ35	EPA Tier 4 Final
—	59	—	XQ60	EPA Tier 4 Final
138	125	—	XQ125	EPA Tier 4 Final
250	228	—	XQ230	EPA Tier 4 Final
360	330	—	XQ330	EPA Tier 4 Final
469	425	—	XQ425	EPA Tier 4 Final
625	568	—	XQ570	EPA Tier 4 Final
1250	1136	—	XQ1140	EPA Tier 4 Final
2500	2280	—	XQ2280	EPA Tier 4 Final

## DEFINITIONS

**Standby:** Output available with varying load for the duration of the interruption of the normal source power. Average power output is 70% of the standby rated ekW. Typical operation is 200 hours per year, with maximum expected usage of 500 hours per year.

**Mission Critical:** Output available with varying load for the duration of the interruption of the normal source power. Average power output is 85% of the mission critical rated ekW. Typical peak demand up to 100% of rated ekW for up to 5% of the operating time. Typical operation is 200 hours per year, with maximum expected usage of 500 hours per year.

**Prime:** Output available with varying load for an unlimited time. Average power output is 70% of the prime rated ekW. Typical peak demand is 100% of prime rated ekW with 10% overload capability for emergency use for a maximum of 1 hour in 12. Overload operation cannot exceed 25 hours per year.

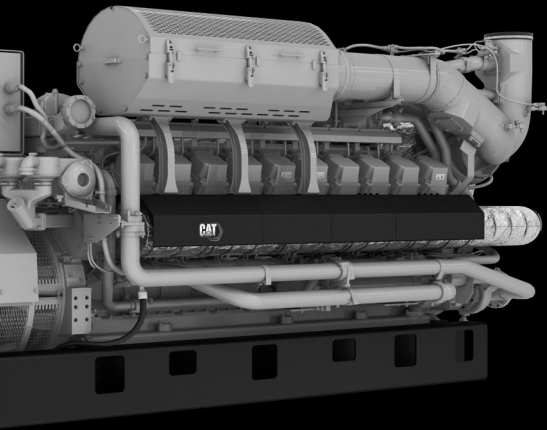
**Prime-DCP:** For data center applications only. Prime-DCP power output available with varying load for unlimited time. Average power output is not to exceed 100% of Prime-DCP rated ekW. Typical peak demand is 100% of the prime-DCP rated ekW with 10% overload capability for emergency use for a maximum of 1 hour in 12. Overload operation cannot exceed 25 hours per year.

**Continuous:** Output available with non-varying load for an unlimited time. Average power output is 70-100% of the continuous rated ekW. Typical peak demand is 100% of continuous rated ekW for 100% of the operating hours.



**G3520H**

# GAS GENERATOR SETS



# GAS

## 50 Hz, 158 – 400 kVA RATINGS — NATURAL GAS

kVA		Generator Set Model	Engine
Standby	Prime		
<b>1500 rpm</b>			
175	158	DG175-1 GC	14.2
200	180	DG200-1 GC	14.2
230	207	DG230-1 GC	14.2
250	225	DG250-1 GC	14.2
275	248	DG275-1 GC	14.2
300	270	DG300-1 GC	14.2
350	315	DG350-1 GC	21.9
400	360	DG400-1 GC	21.9

## 50 Hz, 374 – 2500 ekW RATINGS — NATURAL GAS

ekW Continuous*	Generator Set Model
<b>1500 rpm</b>	
374	G3412C
400	CG132B-8
600	CG132B-12
800	CG132B-16
983	G3516
1000	CG132B-16
1000	CG170-12
1125	CG170-12
1200	CG170-12
1380	CG170B-12
1500	G3512H
1500	CG170-16
1560	CG170-16
1603	G3516C
1976	G3520C
1840	CG170B-16
2000	G3516H
2000	CG170B-20
2300	CG170B-20
2500	G3520H

\*All ratings at 0.8 pf. Electric output depends on final generator specification.  
 <250mg NO<sub>x</sub>/Nm<sup>3</sup> at an oxygen content of 5%.



## 50 Hz, 3333 – 4500 kW RATINGS — NATURAL GAS

ekW Continuous*	Generator Set Model
<b>1000 rpm</b>	
3333	CG260-12
4300	CG260-16
4500	CG260-16

\*All ratings at 0.8 pf. Electric output depends on final generator specification.  
 <250mg NO<sub>x</sub>/Nm<sup>3</sup> at an oxygen content of 5%.

## 50 Hz, 174 – 3770 kW RATINGS — BIOGAS

ekW Continuous*	Generator Set Model
<b>1500 rpm</b>	
174	G3412
400	CG132B-8
600	CG132B-12
800	CG132B-16
1000	CG170-12
1041	G3516
1105	G3516+
1200	CG170-12
1380	CG170B-12
1560	CG170-16
1840	CG170B-16
1984	G3520C
2000	CG170B-20
2300	CG170B-20
<b>1000 rpm</b>	
3770	CG260-16

\*All ratings at 0.8 pf.

## 60 Hz, 175 – 2500 ekW RATINGS — NATURAL GAS

ekW	Generator Set	Engine	Configuration
Standby	Model		
<b>Single Phase Output* 1800 rpm</b>			
100	DG100	6.2	ESE
125	DG125	6.2	ESE
175	DG175-2 GC	14.2	ESE
200	DG200-2 GC	14.2	ESE
<b>Three Phase Output** 1800 rpm</b>			
100	DG100	6.2	ESE
125	DG125	6.2	ESE
175	DG175-2 GC	14.2	ESE
200	DG200-2 GC	14.2	ESE
230	DG230-2 GC	14.2	ESE
250	DG250-2 GC	14.2	ESE
275	DG275-2 GC	14.2	ESE
300	DG300-2 GC	14.2	ESE
350	DG350-2 GC	21.9	ESE
400	DG400-2 GC	21.9	ESE
450	DG450-2 GC	21.9	ESE
423	G3412C	G3412C	—
500	G3412	G3412 with FAST RESPONSE	EPA Factory Certified
750	G3512	G3512 with FAST RESPONSE	EPA Factory Certified
1000	G3512	G3512 with FAST RESPONSE	EPA Factory Certified
1500	G3516	G3516 with FAST RESPONSE	EPA Factory Certified
2000	G3520	G3520 with FAST RESPONSE	EPA Factory Certified
2500	G3520	G3520 with FAST RESPONSE	EPA Factory Certified

\*All ratings at 1.0 pf. \*\*All ratings at 0.8 pf.

The above Certifications are applicable for US Sales: ESE = "EPA Stationary Emergency".

## 60 Hz, 175 – 450 ekW RATINGS — NATURAL GAS

ekW	Generator Set	Engine	Configuration
Demand Response	Model		
<b>Single Phase Output 1800 rpm</b>			
175	DG175-2 GC	14.2	EPA Non-Emergency
200	DG200-2 GC	14.2	EPA Non-Emergency
<b>Three Phase Output* 1800 rpm</b>			
175	DG175-2 GC	14.2	EPA Non-Emergency
200	DG200-2 GC	14.2	EPA Non-Emergency
230	DG230-2 GC	14.2	EPA Non-Emergency
250	DG250-2 GC	14.2	EPA Non-Emergency
275	DG275-2 GC	14.2	EPA Non-Emergency
300	DG300-2 GC	14.2	EPA Non-Emergency
350	DG350-2 GC	21.9	EPA Non-Emergency
400	DG400-2 GC	21.9	EPA Non-Emergency
450	DG450-2 GC	21.9	EPA Non-Emergency

\*All ratings at 1.0 pf.

The above Certifications are applicable for US Sales: ESE = "EPA Stationary Emergency".

## 60 Hz, 253 – 4050 kW RATINGS — NATURAL GAS

ekW Continuous*	Generator Set Model
<b>1800 rpm</b>	
253	G3412
400	CG132B-8
423	G3412
453	G3412C
600	CG132B-12
800	CG132B-16
1300	G3516
1663	G3516C
2077	G3520C
<b>1500 rpm</b>	
1125	CG170-12
1200	CG170-12
1490	G3512H
1500	CG170-16
1560	CG170-16
1982	G3516H
2483	G3520H
<b>900 rpm</b>	
3000	CG260-12
4000	CG260-16
4050	CG260-16

## 60 Hz, GAS POWER SOLUTION RATINGS, 1500 – 2500 kW

ekW	Generator Set Model	Engine / Configuration
Continuous*		
<b>1800 rpm</b>		
1500	CHP1500	G3512H w/CHP Solution
2000	CHP2000	G3516H w/CHP Solution
2500	CHP2500	G3520H w/CHP Solution

\*All ratings at 0.8 pf.

# GAS

## 60 Hz, 194 – 3510 kW RATINGS — BIOGAS

ekW Continuous*	Generator Set Model
<b>1800 rpm</b>	
194	G3412
400	CG132B-8
600	CG132B-12
800	CG132B-16
<b>1200 rpm</b>	
824	G3516
1000	G3516+
1626	G3520C
<b>1500 rpm</b>	
1200	CG170-12
1560	CG170-16
1950	G3520C
<b>900 rpm</b>	
3510	CG260-16

\*All ratings at 0.8 pf.

## 50/60 Hz, 1475 – 1900 kW RENTAL POWER RATINGS

ekW	Generator Set Model	Configuration
Continuous*	Model	
<b>1500/1800 rpm</b>		
1475	XQ1475	US EPA NSPS SI Capable
1900	XGC1900	500 mg/Nm <sup>3</sup> NO <sub>x</sub>
<b>1800 rpm</b>		
1900	XGC1900	250 mg/Nm <sup>3</sup> NO <sub>x</sub>

\*All ratings at 0.8 pf.  
At an oxygen content of 5%.

## DEFINITIONS

**Standby:** Output available with varying load for the duration of an emergency outage. Average power output is 70% of the standby power rating. Typical operation is 200 hours per year, with maximum expected usage of 500 hours per year.

**Demand Response:** Output available with varying load for the duration of the interruption of normal source power. Average power output is 70% of the standby power rating. Typical operation is 200 hours per year, with maximum expected usage of 500 hours per year.

**Prime:** Output available with varying load for an unlimited time. Average power output is 70% of the prime power rating. Typical peak demand of 100% of prime-rated kW with 10% of overload capability for emergency use for a maximum of 1 hour in 12. Overload operation cannot exceed 25 hours per year.

**Continuous:** Output available with non-varying load for an unlimited time. Average power output is 70-100% of the continuous power rating. Typical peak demand is 100% of continuous rated kW for 100% of operating hours.



# RENEWABLE HYBRID ENERGY SOLUTIONS



# RENEWABLE HYBRID SOLUTIONS

## Photovoltaic Panels (PV)

Monofacial Model	Power Output per Panel	Type
PVC415 MP02	415 watt	Monocrystalline PERC
PVC445 MP03 H	445 watt	Monocrystalline PERC Half-cut
PVC450 MP03 H	450 watt	Monocrystalline PERC Half-cut
<b>Silver Frame / White Backsheet</b>		
PVC540 MP03HC	540 watt	Monocrystalline PERC Half-cut
PVC545 MP03HC	545 watt	Monocrystalline PERC Half-cut
<b>Black Frame / Black Backsheet</b>		
PVC350 MP03HA	350 watt	Monocrystalline PERC Half-cut
PVC355 MP03HA	355 watt	Monocrystalline PERC Half-cut
PVC360 MP03HA	360 watt	Monocrystalline PERC Half-cut
PVC355 MP03HB	355 watt	Monocrystalline PERC Half-cut
PVC360 MP03HB	360 watt	Monocrystalline PERC Half-cut
PVC365 MP03HB	365 watt	Monocrystalline PERC Half-cut

**Note:** Check with local dealer for product availability which varies by region and delivery date.

Bifacial Model	Power Output per Panel	Type
PVC435 MB03H	435 watt	Monocrystalline PERC Half-cut
PVC440 MB03H	440 watt	Monocrystalline PERC Half-cut
PVC445 MB03H	445 watt	Monocrystalline PERC Half-cut
<b>Silver Frame / Dual Glass</b>		
PVC530 MB03HE	530 watt	Monocrystalline PERC Half-cut
PVC535 MB03HE	535 watt	Monocrystalline PERC Half-cut
PVC540 MB03HE	540 watt	Monocrystalline PERC Half-cut

**Note:** Check with local dealer for product availability which varies by region and delivery date.



# RENEWABLE HYBRID SOLUTIONS

## PV Inverter Options – CE Mark

Output	Voltage	Frequency
3 kW	220V – 240V, 1 Phase	50 – 60 Hz
3.6 kW	220V – 240V, 1 Phase	50 – 60 Hz
4 kW	220V – 240V, 1 Phase	50 – 60 Hz
5 kW	220V – 240V, 1 Phase	50 – 60 Hz
6 kW	220V – 240V, 1 Phase	50 – 60 Hz
5 kW	380V – 415V, 3 Phase	50 – 60 Hz
6 kW	380V – 415V, 3 Phase	50 – 60 Hz
8 kW	380V – 415V, 3 Phase	50 – 60 Hz
10 kW	380V – 415V, 3 Phase	50 – 60 Hz
15 kW	380V – 415V, 3 Phase	50 – 60 Hz
20 kW	380V – 415V, 3 Phase	50 – 60 Hz
25 kW	380V – 415V, 3 Phase	50 – 60 Hz
50 kW	380V – 415V, 3 Phase	50 – 60 Hz
100 kW	380V – 415V, 3 Phase	50 – 60 Hz
150 kW	380V – 415V, 3 Phase	50 – 60 Hz

## PV Inverter Options – UL Listed

Output	Voltage	Frequency
3 kW	208V – 240V, 1 Phase	60 Hz
3.8 kW	208V – 240V, 1 Phase	60 Hz
5 kW	208V – 240V, 1 Phase	60 Hz
6 kW	208V – 240V, 1 Phase	60 Hz
7 kW	208V – 240V, 1 Phase	60 Hz
7.7 kW	208V – 240V, 1 Phase	60 Hz
33.3 kW	480V, 3 Phase	60 Hz
50 kW	480V, 3 Phase	60 Hz
62.5 kW	480V, 3 Phase	60 Hz
125 kW	480V, 3 Phase	60 Hz
150 kW	480V, 3 Phase	60 Hz

**Note 1:** Inverter products are not Cat branded.

**Note 2:** Check with local dealer for product availability which varies by region and delivery date.

# RENEWABLE HYBRID SOLUTIONS

## Weather Stations

Weather Stations provide a pre-engineered system that cost-effectively scales to Microgrid Solution size and complexity. The Weather station delivers best-practice PV performance tracking and correlation technology.

Basic Features	Class A	Class B	Class C
Plane of Array	•	•	•
Back of Module Temperature	•	•	•
Air Temperature	•	•	•
Relative Humidity	•	•	—
Wind Speed	•	•	—
Wind Direction	•	•	—
Barometric Pressure	•	•	—
Global Horizontal Irradiance	•	—	—



# RENEWABLE HYBRID SOLUTIONS

## Microgrid Master Controllers (MMC)

### MMC-S

The MMC-S is designed for applications with a limited number of power generation assets. It integrates the photovoltaic (PV) system, generator set, and energy storage system. It provides basic controls functionality.



### MMC-M

The MMC-M is designed for applications with a moderate number of power generation assets. It integrates with the photovoltaic (PV) system, generator set, and energy storage system. The MMC-M provides intermediate controls functionality.



### MMC-Custom

The MMC-Custom is designed for applications with a high number of power generation assets. It integrates with the photovoltaic (PV) system, generator set, and energy storage system. The MMC-Custom provides advanced or specialized controls functionality.

# RENEWABLE HYBRID SOLUTIONS

## Microgrids & Renewable Energy Systems

Cat microgrids provide cost-effective power for on- and off-grid communities and commercial or industrial installations. By combining our advanced energy storage solutions with renewable energy from photovoltaic solar modules and traditional generation from utilities or generator sets, we can develop an energy system specifically designed for your needs. The Cat microgrid combines all sources into a single, controllable entity to optimize the flow of energy so it can be produced at the lowest total cost.

## Power Grid Stabilization (PGS)

Power Grid Stabilization modules provide a pre-engineered solution to energy storage needs. The modules integrate with diesel or gas generator sets, photovoltaic (PV), or other renewable systems to provide short duration power. The module holds closely regulated system voltage and frequency during periods of rapid load addition or removal, or during periods of intermittent output from the renewables.

Model	Nameplate Energy	15 Minutes Output	5 Second Output
PGS840	448 kWh	840 kW	840 kW
PGS1260	672 kWh	1170 kW	1260 kW
PGS1260 HD mobile	672 kWh	1170 kW	1260 kW



# RENEWABLE HYBRID SOLUTIONS

## Energy Time Shift (ETS)

Energy Time Shift modules provide a pre-engineered solution to energy storage needs. The scalable system integrates with photovoltaic (PV) or other renewable systems to store energy from renewables, generator sets, or the grid for use at a later time. The ETS module contains the bi-directional power inverter with a fixed number of batteries and support equipment.

Model	Nameplate Energy	Continuous Output
ETS1500	1518 kWh	570 kW
ETS1500	1518 kWh	1000 kW*

\*When paired with ECE below.



## Energy Capacity Expansion (ECE)

The Energy Capacity Expansion modules provide increased energy capacity and discharge duration when connected for use with the ETS module.

Model	Energy
ECE1500	1518 kWh
ECE2000	2024 kWh
ECE2500	2530 kWh





# EMCP 4

**CAT**

F1 F2 F3 F4

CONTROL AC ENGINE MAIN MENU

ACK RESET EVENT LOG

RUN AUTO STOP

OK

EMCP 4.4

- EMERGENCY STOP
- OVERCHARGE
- LOW COOLANT TEMPERATURE
- HIGH COOLANT TEMPERATURE
- LOW OIL PRESSURE
- OVERHEATED
- LOW COOLANT LEVEL
- LOW FUEL LEVEL
- UPS LOW BATTERY LOAD
- CONTROL SWITCH NOT IN AUTO
- HIGH BATTERY VOLTAGE
- LOW BATTERY VOLTAGE
- BATT CHARGER AT FULLING
- LOW STARTING AIR PRESSURE
- AIR QUALITY/DIRTY DROPPER
- SPACE
- W. WIRE NETWORK STATUS

RESET AUTO Hz ~V



# EMCP 4

## EMCP 4.1

The EMCP 4.1 provides basic engine controls – stop/run/auto push button controls, cycle crank, and cool down timer. The 3.8 inch graphical display supports multiple languages, including character languages such as Chinese, Arabic, Russian, and Japanese. The EMCP 4.1 provides monitoring of generator electrical output, including AC voltage, current, frequency, and mechanical information such as oil pressure, coolant temperature, engine speed, and battery voltage along with fuel level if a sensor is provided. It also provides a number of protective functions, such as warnings and shutdowns for over/under voltage, over/under frequency, low oil pressure, high coolant temperature, low coolant level, failure to start, and overspeed.

## EMCP 4.2

The EMCP 4.2 builds on the features of the EMCP 4.1 controller, offering expanded engine monitoring based on information available from the engine ECM, along with expanded generator set protection and monitoring, such as generator kW, kVA, and kWh.

Flexibility is also increased with the addition of a modbus RTU communication port, remote annunciator modules, and expansion I/O modules to allow the EMCP 4 system to be configured to meet site specific design requirements.

With the additional monitoring and expansion modules available, the EMCP 4.2 is designed to provide control and protection for critical installations, such as NFPA-110 Level 1 applications.

## EMCP 4.2B

The EMCP 4.2B adds advanced features to the EMCP 4.2 controller, offering expanded generator set protection and monitoring, such as additional overcurrent protection curve selection, real (kW) load histogram, trip kWh and trip kVAh. Display screens are configurable for customer desired parameters.

An integrated basic programmable logic control (PLC) function to read controller inputs and drive controller outputs is also provided with the EMCP 4.2B.



## EMCP 4.3

The EMCP 4.3 further expands the EMCP 4 product line with the addition of 5.5 inch graphical display and additional context specific navigation keys.

With the addition of a Modbus TCP port, the EMCP 4.3 controller can be easily integrated into complex systems requiring complete generator set monitoring.

## EMCP 4.4

The EMCP 4.4 builds on the EMCP 4.3 functionality with the addition of fully automatic multi generator set paralleling. The EMCP 4.4 provides all of the functions required to automatically parallel generator sets, including dead bus arbitration, automatic or manual modes of operation, and load sharing (real and reactive). Optional provisions allow for extended parallel operation of a single generator with Utility for Base Load/Import/Export capability.

## Extended Service Coverage (ESC)

Since 2021, new EMCP replacements (i.e. from older EMCP to current versions) performed by Cat dealers are covered by ESC, see excerpt from ESC Contract.

**Platinum Level Covered Components:** All as-shipped consist from the factory with Caterpillar part numbers, including DOC (when DOC is not part of a DPF) are Covered Components with the exception of the following: DPF and SCR, filters, fluids, vee-belts, hoses, power take-offs, paint, batteries, and clutches. New replacement EMCP control panels with Cat part numbers installed on electric power generator sets by an authorized dealer are covered components.

# EMCP 4

## Product Features

Description	EMCP 4.1	EMCP 4.2	EMCP 4.2B	EMCP 4.3	EMCP 4.4	
					Standard	(1G1U)
<b>Operating Modes</b>						
Emergency Standby / Island Mode	●	●	●	●	●	●
Utility Paralleling	–	–	–	–	–	●
<b>System Capacity</b>						
Number of Units	1	1	1	1	8 – Hardwired 16 – MGDL	1
<b>Voltages</b>						
Voltage	●	●	●	●	●	●
(208V – 15 kV)						
<b>Generator Paralleling Functions</b>						
Dead Bus Arbitration	–	–	–	–	●	–
Synchronization	–	–	–	–	●	●
Load Sharing	–	–	–	–	●	–
Load Sense / Load Demand (LS / LD)	–	–	–	–	●	–
LS / LD – Engine Hours Balancing	–	–	–	–	●	–
Load Shed / Load Add Stages	–	–	–	–	Up to 4 (Note 1)	●
<b>Utility Paralleling Functions</b>						
Base Load Control	–	–	–	–	●	●
Load Management / Peak Shaving (Utility)	–	–	–	–	–	●
Utility Transfer / Control	–	–	–	–	–	●
Utility Protection Relaying (Industrial Grade)	–	–	–	–	–	●

### KEY

- Standard
- Not Available

### Notes:

(1) Includes 1 fully featured load shed stage (feeder breaker control) plus 3 programmable generator set kW-based load shed stages.

**Other:** Multi-Gen Data Link (MGDL).





# SYSTEMS PRODUCTS



# SYSTEMS PRODUCTS

## Advanced Control

Flexible control products and architectures for tailoring the performance of Cat Electric Power sources to meet any application. Designed around customer requirements or pre-configurable solutions.

Description	EMCP 4.4 SCP Supervisory Control	EMCP 4.4 Master Control Panel			
		(EGP4)	(EGP)	(XLM)	
<b>Operating Modes</b>					
Emergency Standby / Island Mode	•	•	•	•	
Utility Paralleling	–	–	–	•	
<b>System Capacity</b>					
Number of Units	16	4	8 (Standard)	8 (Standard)	
<b>Voltages</b>					
Voltage	•	(208V – 15 kV)			
<b>Generator Paralleling Functions</b>					
Dead Bus Arbitration	(Note 1)	•	•	•	
Synchronization		(Note 1)	(Note 1)	(Note 1)	
Load Sharing		•	•	•	
Load Sense / Load Demand (LS / LD)		•	•	•	
LS / LD – Engine Hours Balancing		•	•	•	
Load Shed / Load Add Stages	16	4	8	8	
<b>Utility Paralleling Functions</b>					
Base Load Control	–	–	–	•	
Load Management / Peak Shaving (Utility)	–	–	–	•	
Utility Transfer / Control	–	–	–	•	
Utility Protection Relaying (Industrial Grade)	–	–	–	•	

### KEY

- Standard
- Not Available

### Notes:

(1) Function included as part of the system – performed by the EMCP 4.4 Generator Set Controller.

# SYSTEMS PRODUCTS

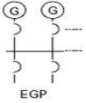
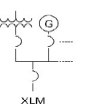


	EPIC	CHP	Controls and Switchgear	
	Modular Control Panels Ideal for Adding Additional Generation Capacity	Combined Heat and Power (CHP) Loop System Controls	Configurable Controls and Switchgear with Standardized Sequence of Operations	Design to Order Controls and Switchgear with Customizable Sequence of Operations
	•	–	•	•
	•	•	•	•
	≤12	≤12	≤12	Unlimited
	•	•	•	•
	(208V – 38 kV)			
	•	–	•	•
	•	•	•	•
	•	–	•	•
	•	–	•	•
	•	–	•	•
	12	–	12	Unlimited
	–	•	–	–
	•	•	•	•
	•	–	•	•
	–	•	•	•

# SYSTEMS PRODUCTS

## Paralleling Switchgear

Cat standard switchgear products can support a wide variety of applications, or we can provide a custom Voltage designed system to meet your specific project needs. The XLM product supports transfer between the utility source and generator bus and allows for sustained parallel operation with the utility for load management applications. The EGP product supports paralleling on an

## Cat Switchgear Selector

Application Guide Tab Section	Voltage Range		Parallel Multiple Gensets	Parallel with Utility	Standby Applications	Transfer Switches	
<b>Emergency Generator Paralling Switchgear (EGP)</b>							
3  EGP	208-600V	UL 1558, UI 891 CSA Arc Res 2B	•	–	•	•	
	2.4-27 kV	ANSI C37.20.2 ANSI C37.20.3 UL MV, CSA Arc Res 2B, 2C, 2BC	•	–	•	•	
<b>Transfer and Load Management Paralleling Switchgear (XLM)</b>							
4  XLM	208-600V	UL 1558, UI 891 CSA Arc Res 2B	•	•	•	–	
	2.4-27 kV	ANSI C37.20.2 ANSI C37.20.3 UL MV, CSA Arc Res 2B, 2C, 2BC	•	•	•	–	
<b>Additional Medium Voltage Features</b>							
5  MV	2.4-27 kV	ANSI C37.20.2 ANSI C37.20.3 UL MV, CSA Arc Res 2B, 2C, 2BC	•	•	•	•	
<b>Custom Paralleling Switchgear Features</b>							
6 	208V-27 kV	UL 1558 UI 891 CSA Arc Res 2B ANSI C37.20.2 ANSI C37.20.3 UL MV, CSA Arc Res 2B, 2C, 2BC	•	•	•	•	



# SYSTEMS PRODUCTS

isolated generator bus and is commonly used in prime power or emergency standby systems. Caterpillar switchgear is available in ratings from 600V through 27 kV and provides a solution able to combine all elements of monitoring and control for Cat generator sets in a single-source package.

Modes of Operation						Application Considerations
Emergency Standby	Closed Transition / Soft Load	Peak Shaving	Load Shed / Add Control	Utility Export		
•	–	–	•	–		EGP product is used to parallel multiple gensets to a common bus where interconnect with the utility is not required. EGP systems are commonly used where there are downstream transfer switches.
•	–	–	•	–		
•	•	•	•	•	•	XLM Product is used when generators will be paralleled with a utility (Utility Breaker may be local or remote). Allows closed transition transfer to/from utility as well as continuous paralleling.
•	•	•	•	•	•	
•	•	•	•	•	•	Medium Voltage product utilize vacuum circuit breakers. This section covers equipment specific to applications >600V.
•	•	•	•	•	•	Customize products are available to meet the most demanding or unique requirements including multiple utilities, multiple ties, custom sequence of operations, etc.

# SYSTEMS PRODUCTS

## ATS

Operating Modes:

- Open Transition
- Closed Transition
- Delayed Transition
- Bypass Isolation

## ATC Line

Product	Amp Range	Controllers
ATC – Contactor-type ATS	40A-3000A	ATC 300+ or 900
ATC – Power Breaker & Power Case-type ATS	200A-5000A	ATC 900
ATC – Molded Case-type ATS	30-1000A	ATC 300+ or 900
ATC – Service Entrance Rated MCCB & Power Breaker-type ATS	30A – 5000A	ATC 300+ or 900
ATC – Contactor-type ATS with Bypass Isolation	100A-3000A	ATC 300+ or 900
ATC – Power Breaker-type ATS with Bypass Isolation	200A-5000A	ATC 900

## TruOne & MX Line

Product	Amp Range	Controllers
CX – Contactor-type ATS for light commercial or residential	30A – 1200A	TruOne L2 Type
CG – Contactor-type, Open Transition ATS for general purpose applications	30A – 3000A	TruOne L3 Type
CGD – Contactor-type, Delayed Transition ATS for general purpose applications	30A – 3000A	TruOne L3 Type
CS – Contactor-type, Open Transition ATS (Spec Grade)	30A – 3000A	TruOne L4 Type
CSD – Contactor-type, Delayed Transition ATS (Spec Grade)	30A – 3000A	TruOne L4 Type
CSCT – Contactor-type, Closed Transition ATS (Spec Grade)	400A – 3000A	TruOne L4 Type
CBS – Contactor-type, Open Transition ATS w/ Bypass Isolation (Spec Grade)	30A – 3000A	TruOne L4 Type
CBSD – Contactor-type, Delayed Transition ATS w/ Bypass Isolation (Spec Grade)	30A – 3000A	TruOne L4 Type
CBSCT – Contactor-type, Closed Transition ATS w/ Bypass Isolation (Spec Grade)	1000A – 3000A	TruOne L4 Type

## Temporary Generator Connections

### Features:

- UL508A
- Visual indication of L-L voltage (3 phase)
- Color Coded Cam-Locks
- Selectable Cam-Lock receptacle gender or mechanical lug connection to generator
- Available Phase Rotation, Loss and Undervoltage Protection
- Padlockable Wingnob latch
- Density rated (1000A/in<sup>2</sup>) bus
- Mechanically Interlocked access doors

### Functions:

- Provides simple connection of temporary generator or load bank
- Provides for permanent lug or circuit breaker connection to building distribution equipment
- Weatherproof enclosures with temporary generator cable access doors

Product	Amp Range	Enclosures	Controllers
Lug-to-Lug Tap Box	200A – 3000A	NEMA3R	Lugs Only
Wallmount Camlock Tap Box	400A – 2400A	NEMA3R or NEMA3R 316 Stainless	Male or Female
Free Standing Camlock Tap Box	1600A – 4000A	NEMA3R or NEMA3R 316 Stainless	Male or Female
Enclosed Circuit Breaker Box	200A – 800A	NEMA3R, 4X Stainless	Male or Female



7/24/2017 1:04:30

LOW COST M

**LOAD**

(P) 437 kW

(Q) 137 kVAr

(PF) 0.95

 $\frac{4}{4}$ 

437 kW



480 v

60 Hz

5 kW

**GEN**

(P) 5 kW

(Q) 136 kVAr

(PF) 0.03

 $\frac{1}{3}$ 

MMC in Control

**PV**

(P) 451 kW

(Q) 0 kVAr

(PF) 1

 $\frac{2}{2}$



# CAT CONNECT

## Technologies and Services

Caterpillar's connectivity solution of Remote Asset Monitoring with Cat® Connect turns data into insights and insights into profits.

### Customer Benefits:

- Monitor and manage your assets from any location on any device
- Decrease owning and operating costs
- Boost efficiency
- Increase uptime
- Improve safety
- Meet sustainability goals
- Reduce risk

### Key Features:

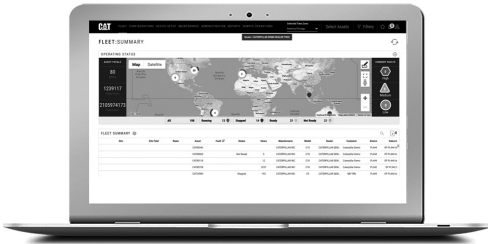
- Customized alerts
- View your asset's: status, location, current faults, and engine & electrical parameters
- Manage maintenance
- Geofencing
- Remote start/stop
- Storm preparedness
- Condition monitoring (CVA connected customers)
- View, see and compare all your assets on one screen
- Fleet Performance enabled by reports & analytics



Customers log into Cat Remote Asset Monitoring as the single portal to connectivity and digital services data. The following information is available via a direct connection to My.Cat.com:

- Inspections
- Scheduled oil sampling
- Operation and maintenance manuals
- Ordering parts
- Requesting service

Signup and log in today to learn more!



# PRODUCT SUPPORT

## Product Support and Definitions

### Extended Service Coverage (ESC)

Depending on the model and application, Silver, Gold, Platinum and Platinum Plus coverage levels are available from Caterpillar with terms to meet most applications, whether prime or standby.

Platinum and Platinum Plus provide additional allowances for overtime, emergency freight, rental, crane and rigging support. Please see the registration contract for details.

Equipment	Coverage Option
New Product	New ESC
Existing Product	Advantage ESC
Overhauls	OPC*

Platinum Plus goes beyond Platinum coverage to include Cat components installed by an authorized dealer. Such components must be approved. See your Cat dealer for details. Platinum Plus also offers more Additional Allowances and remote troubleshooting fees, up to a maximum of \$50.00 per claim.

### Additional Allowances – Standby Power

Engine Displacement <sup>4</sup>	Travel/Mileage Limitations		Emergency Freight	Rental <sup>5</sup>		Crane & Rigging <sup>6</sup>	Overtime
	Silver/Gold/Platinum hr / mile	Platinum Plus Only hr / mile	All Coverage Levels \$ USD	Platinum Only \$ USD	Platinum Plus only \$ USD	Platinum Only \$ USD	Platinum Plus only \$ USD
Up to 4 liters	2 / 100	10 / 500	500	2,500	5,000	1,000	3,000
Over 4 liters up to 71.5 liters	4 / 200	10 / 500	500	5,000	10,000	1,000	3,000
Over 7.5 liters up to 34 liters	8 / 320	10 / 500	500	20,000	20,000	5,000	3,000
Over 34 liters	8 / 320	10 / 500	500	40,000	40,000	12,500	3,000

<sup>4</sup>Please refer to the generator set spec sheets for particular displacement.

<sup>5</sup>Allowance is granted if covered failure repairs cannot be completed within 96 hours (for Platinum) or 48 hours (for Platinum Plus) of the authorized dealer technician's initial visit.

<sup>6</sup>Allowance is granted if covered failure repairs cannot be completed within 48 hours of the authorized dealer technician's initial visit.



## Additional Allowances – Prime Power

	Travel / Mileage Limitations		Emergency Freight Allowance	Overtime Allowance
Engine Displacement <sup>4</sup>	Silver/Gold/Platinum hr / mile	Platinum Plus Only hr / mile	All Coverage Levels \$ USD	Platinum Plus only \$ USD
Up to 4 liters	2 / 100 or 161 km	10 / 500 or 805 km	500	3,000
Over 4 liters up to 7.5 liters	4 / 200 or 322 km	10 / 500 or 805 km	500	3,000
Over 7.5 liters up to 34 liters	8 / 320 or 515 km	10 / 500 or 805 km	500	3,000

<sup>4</sup>Please refer to the generator set spec sheets for particular displacement.

Electric Power ESC reimburses covered parts at customer list price, labor at selling rates and travel and mileage charges (less any deductibles) for covered repairs.

Available worldwide for all Cat Electric Power Products, ESC provides usual and customary parts and labor costs for covered system failures due to defects in materials and workmanship on components over the duration of the covered period.

This is a brief description of Extended Coverage. See your Cat dealer for more information. The Extended Coverage contract will govern.

\*Overhaul Protection Coverage.

# PRODUCT SUPPORT

## Customer Value Agreements

### WHAT IS A CUSTOMER VALUE AGREEMENT?

A CVA is any arrangement between you and your Cat dealer that helps you control your maintenance cost. Agreements are tailored to fit your business needs and can range from simple Preventive Maintenance Kits to sophisticated Total Maintenance & Repair contracts. No matter which option you choose, you can be assured that your Cat dealer will provide you with careful planning and ongoing attention that will help you succeed.

When you have a CVA with your Cat dealer, you have more time to do what you do best – run your business. Trained dealer technicians assist you by maintaining your equipment and driving down operating costs. In the end, everyone's goal is the same: helping you get more work done at a lower cost.

### WHAT ARE THE BENEFITS OF A CUSTOMER VALUE AGREEMENT?

**Agreement Flexibility** – Adapt to level of support to meet your requirements.

**All maintenance parts and tools** – Cat maintenance parts/tools for routine services.

**Accurate, professional testing** – Caterpillar trained technicians have the specialist knowledge, technology, and global backup to check your equipment.

**Early Warning** – Advanced diagnostics to identify problems and schedule repairs before a failure.

**Plan ahead with greater confidence** – Improved reliability enables tighter scheduling of maintenance intervals.

**Increased uptime** – Engines run longer and more efficiently, improving profitability.

### HOW DOES A CVA WORK?

A CVA is an individualized plan for all your equipment, regardless of age or application, with no pre-set requirements. Depending on your needs, your costs can be a flat monthly fee or based on production hours. Your agreement can cover one piece of equipment, systems, or entire fleets. Your Cat dealer will help you get more work done at a lower cost for your Cat and non-Cat equipment.

## Long Term Service Agreements

### WHAT IS A LONG TERM SERVICE AGREEMENT (LTSA)?

A Long Term Service Agreement has all the benefits of a traditional CVA, but is designed to support the customer for a minimum of 5 years. An LTSA is designed to support customers that know constant power is critical and need a reliable partner to help manage the total care of their equipment. With expertise and steady support, a Long Term Service Agreement helps the customer drive their business forward by controlling costs and minimizing risk.



For additional information or to find your nearest dealer go to:

**[www.cat.com/electricpower](http://www.cat.com/electricpower)**

LEXE7582-18, January 2023

© 2023 Caterpillar All Rights Reserved.

Information contained in this publication may be considered confidential. Discretion is recommended when distributing. Materials and specifications are subject to change without notice. CAT, CATERPILLAR, LET'S DO THE WORK, their respective logos, "Caterpillar Corporate Yellow," the "Power Edge" and Cat "Modern Hex" trade dress as well as corporate and product identity used herein, are trademarks of Caterpillar and may not be used without permission.